

Cascade Ultra Pima  
Dances With Yellow



Designed by  
Varian C. Brandon

# Dances with Yellow

Designed by Varian C. Brandon

This sweater is knitted in the round with a Fair Isle yoke. The body is worked to the armholes. The sleeves are knitted separately in the round and then added to the body. The remainder of the sweater is knitted in the round with a series of decreases that shape the upper portion of the garment.

## Sizes

**A:35" [B:37", C:39", D:41", E:43", F:45", G:47"]**

**About sizing:** Sizes listed are **finished garment chest measurements**. Fit depends on the amount of ease desired beyond actual chest size. Approximately 2-4 inches of positive ease is recommended for a comfortable, but not sloppy, fit. For a close fit, choose a size which adds 1-2" (2.5-5cm); for a standard fit, add 2-4" (5-10cm); for a loose fit, 4-6" (10-15cm); and for an oversized, 6" (15cm) or more.

Information is given for the first size with larger sizes provided in square brackets [ ]. Where only one figure is given, the instruction applies to all sizes. You may find it helpful to circle all figures relating to your size with a colored pencil.

**Before starting to knit, read the pattern carefully and make sure to check your gauge. You will thank yourself later.**

## Materials

Yarn: Cascade Yarns Ultra Pima

The body is knitted in 3748.

The yoke adds 3744, 3745, 3746, 3750, 3713, 3751, 3708.

A - 3748 - 5 (5, 6, 6, 7, 7, 8) skeins	E - 3750 - 1 skein
B - 3744 - 1 skein	F - 3713 - 1 skein
C - 3745 - 1 skein	G - 3751 - 1 skein
D - 3746 - 1 skein	H - 3708 - 1 skein

## Needles:

1 - 24" circular needles - US 2 (2.75mm)

2 - 24" circular needles - US 3 (3.25mm)

1 - set of 5 double pointed needles US 2 (2.75mm) or 2 - 16" circular needles US 2 (2.75mm)

1 - set of 5 double pointed needles US 3 (3.25mm)

OR correct needles to obtain gauge and preferred method of circular knitting.

Accessories: Stitch markers, stitch holders, tapestry needle, safety pin.

## Gauge

On US 3 (3.25mm) in stockinette stitch: 12 sts and 15 rows to 2".

## About knitting from charts:

Charts are designed to be knitted from right to left, bottom to top. This means starting at the bottom right corner of the chart and working to the left and up. Be sure to take note how the

charts relate to each other. Make sure to maintain this relationship through the various increases and decreases which occur during the shaping of the sweater.

An easy way to knit from a chart is to get a page-sized metal tablet with magnets. Place the magnet above the round you are working on and move it up revealing the next round as you go. This way, the round you are working on is right below the magnet and as you go you can see the relationship to the completed rounds below.

Tables provided in these instructions are also designed to be worked from the bottom up and provide a list of chart progression.

### **About sweater construction:**

This sweater is worked in the round with decreases around the yoke to create shoulder and neck shaping. As these decreases occur, slight adjustments in stitch counts are made to accommodate motif stitch repeats.

### **About decreases:**

Decreases are worked using Knit 2 Together (k2tog).

All increases are m1...twisting the thread between two stitches to make a new stitch.

### **Body**

With smaller needles and main color, cast on **188 [200, 210, 220, 232, 242, 254] stitches**. Place marker (PM) and join, being careful not to twist work. This marker indicates the beginning of the round and the right side of the garment.

Work in K1, P1 rib for 3 inches.

Next round: With larger needles, knit one round, working the following increases for selected size in the round:

**Size A:** k4, (m1, k9) 6 times, (m1, k8) 9 times, (m1, k9) 6 times, m1, k4 **(210 sts)**

**Size B:** k4, (m1, k10) 1 time, (m1, k9) 19 times, (m1, k10) 1 time, m1, k5. **(222 sts)**

**Size C:** k4, (m1, k9) 9 times, (m1, k8) 5 times, (m1, k9) 9 times, m1, k4. **(234 sts)**

**Size D:** k4, (m1, k9) 6 times, (m1, k8) 13 times, (m1, k9) 6 times, m1, k4. **(246 sts)**

**Size E:** k4, (m1, k9) 12 times, (m1, k8) 1 time, (m1, k9) 12 times, m1, k4. **(258 sts)**

**Size F:** k4, (m1, k9) 9 times, (m1, k8) 9 times, (m1, k9) 9 times, m1, k4. **(270 sts)**

**Size G:** k4, (m1, k10) 1 time, (m1, k9) 25 times, (m1, k10) 1 time, m1, k4. **(282 sts)**

Knit 3 rounds, placing a marker after 105 (111, 117, 123, 129, 135, 141) sts to indicate the left side.

Next round: work first round of chart.

Complete the next 10 rounds of chart (11 rounds total).

Next round: work in Main Color.

Continue until work measures 15 (15, 15.5, 15.5, 16, 16, 16.5) inches.

Break yarn and place 4 (4, 4, 5, 5, 5, 5) sts on **either side** of both markers on holders, leaving remainder of front and back stitches on two pieces of scrap yarn. 8 (8, 8, 10, 10, 10, 10) sts. total on holder at each side of work.

### **Sleeves**

With smaller needles, and main color, cast on 44 (46, 48, 52, 52, 54, 58) sts. Join, being careful not to twist work. PM to indicate beginning of round.

Work in K1, P1 rib for 3 inches.

Next round: With larger needles, knit one round, increasing 4 (8, 6, 8, 8, 6, 8) sts. evenly around work.

Knit 3 rounds.

Next round: work first round of chart.

Complete the next 10 rounds of chart (11 rounds total).

Knit 2 rounds with main color.

Next round: increase on either side of marker, adding 2 stitches.

Increase 1 stitch on either side of the marker in the next and every 4<sup>th</sup> round until 64 (58, 76, 76, 90, 102, 98) sts are on the needle.

Then, increase every 6<sup>th</sup> round until there are 85\* (86, 92, 96, 102, 106, 113\*) sts on the needle.

\*on final increase round on sizes A and G only, increase on only one side of the marker.

Continue evenly until sleeve measures 17.25 (18, 18, 18, 18.5, 18.5, 19) inches.

Break yarn and place 4 (4, 4, 5, 5, 5, 5) sts on **either side** of the marker on a holder for underarms. 8 (8, 8, 10, 10, 10, 10) sts. total on holder. Leave remainder of sleeve stitches on a piece of scrap yarn.

### **Joining sleeves to body**

Next round: With main color, knit across back of body to stitches on underarm holder. PM. Join sleeve by working sleeve stitches onto same needle. Be sure to align both sets of stitches on holders at underarm. PM. Work across front of body. PM. Then work around second sleeve, again aligning stitches on holders at underarm. PM.

**348 (362, 386, 398, 422, 442, 456) sts.**

You should have 4 markers. One at each intersection of the sleeves to the body.

Next round: Sizes B-E, decrease 2 sts. evenly around work. Size F increase 2 stitches even around work. Sizes A and G, no change. **348 (360, 384, 396, 420, 444, 456) sts.**

Knit 4 (8, 12, 16, 18, 22, 27) rounds evenly.

Next round: begin round 1 of yoke chart.

Continue working yoke chart, completing round 28.

Note: You may find it helpful to also place markers between the individual motif repeats as you move on to charts with larger repeats.

#### First Decrease

Next round (round 29): Decrease as follows for selected size.

**Sizes A (D, F):** k1, (k2tog, k3) 6 times, (k2tog, k2) until 33 sts remain on left needle. Then (k2tog, k3) 6 times, k2tog, k1. **264 (300, 336) sts**

**Sizes B and G:** k1, (k2tog, k3) 12 times, (k2tog, k2) until 63 sts remain on left needle. Then (k2tog, k3) 12 times, k2tog, k1. **276 sts**

**Size C:** (k2, k2tog) to end. **288 (348) sts.**

**Size E:** k1, (k2tog, k2) 48 times, (k2tog, k1) 11 times, (k2tog, k2) until 2 sts remain on needle. k2tog. **312 sts.**

Continue to work chart rounds until round 49.

#### Second Decrease

Next round (round 50): Decrease as follows for selected size.

**Size A:** k2tog 2 times, (k2tog, k1) 42 times, k2tog 3 times, (k2tog, k1) to last 2 sts, k2tog. **174 sts**

**Size B:** k2tog 5 times, (k2tog, k1) 42 times, k2tog 6 times, (k2tog, k1) to last 2 sts, k2tog. **180 sts**

**Size C:** k1, (k2tog, k1) to last 2 sts. k2tog. **192 sts.**

**Size D:** k1, (k2tog, k2) 6 times, (k2tog, k1) until 26 sts remain on left needle. Then, (k2tog, k2) 6 times, k2tog. **204 sts.**

**Size E:** k1, (k2tog, k2) 12 times, (k2tog, k1) until 50 sts remain on left needle. Then, (k2tog, k2) 12 times, k2tog. **216 sts.**

**Size F:** k2tog 2 times, (k2tog, k1) 54 times, k2tog 3 times, (k2tog, k1) to last 2 sts, k2tog. **222 sts**

**Size G:** k1, (k2tog, k2) 3 times, (k2tog, k1) until 14 sts remain on needle. Then (k2tog, k2) 3 times, k2tog. **234 sts.**

Continue to work chart rounds until round 57.

Knit one round in main color.

#### Neck Decrease

Next round (using main color), decrease as follows for selected size:

**Size A:** k2tog 8 times, (k2tog, k1) 23 times, k2tog 9 times, (k2tog, k1) to last 2 sts, k2tog. **110 sts.**

**Size B:** k2tog 5 times, (k2tog, k1) 26 times, k2tog 6 times, (k2tog, k1) to last 2 sts, k2tog. **116 sts.**

**Size C:** k2tog 14 times, (k2tog, k1) 22 times, k2tog 15 times, (k2tog, k1) to last 2 sts, k2tog. **118 sts.**

**Size D:** k2tog 17 times, (k2tog, k1) 22 times, k2tog 18 times, (k2tog, k1) to last 2 sts, k2tog. **124 sts.**

**Size E:** k2tog 14 times, (k2tog, k1) 26 times, k2tog 15 times, (k2tog, k1) to last 2 sts, k2tog. **134 sts.**

**Size F:** k2tog 11 times, (k2tog, k1) 29 times, k2tog 12 times, (k2tog, k1) to last 2 sts, k2tog. **140 sts.**

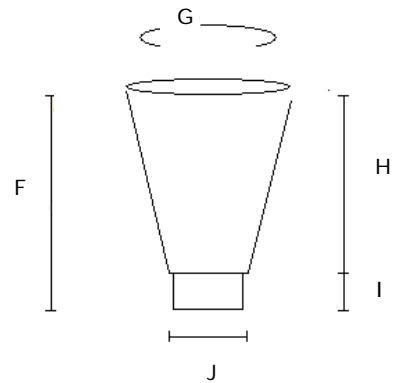
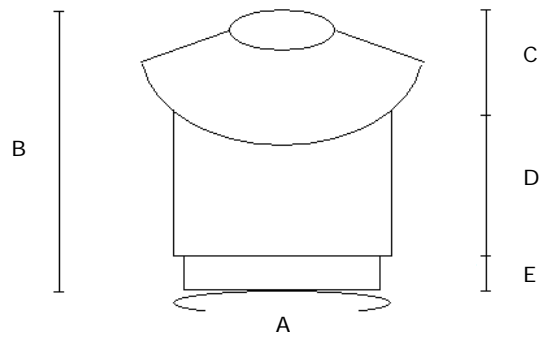
**Size G:** k2tog 14 times, (k2tog, k1) 29 times, k2tog 15 times, (k2tog, k1) to last 2 sts, k2tog.  
**146 sts.**

**Neck Rib**

With smaller needles, work neck rib for 1 inch. K1, p1. Cast off loosely in rib.

**Finishing**

Using Kitchener Stitch, weave underarms stitches together. Weave in all loose ends and block work.



- A 35 (37, 39, 41, 43, 45, 47) ins.
- B 23.8 (24.5, 25.3, 25.8, 26.8, 27.3, 28.3) ins.
- C 8.8 (9.3, 9.8, 10.3, 10.8, 11.3, 11.8) ins.
- D 12 (12, 12.5, 12.5, 13, 13, 13.5) ins.
- E 3 ins.

- F 17.25 (18, 18, 18, 18.5, 18.5, 19) ins.
- G 13.7 (14.4, 15.2, 16, 16.8, 17.6, 18.3) ins.
- H 14.25 (15, 15, 15, 15.5, 15.5, 16) ins.
- I 3 ins.
- J 8.25 (8.5, 9, 9.5, 9.5, 10, 10.5) ins.

# Dances with Yellow Chart

Round		Filled	Blank
57		H	A
56		E	A
55		G	A
54		F	A
53			A
52		D	A
51		D	
50		D	E
49			E
48		D	G
47		C	G
46		B	F
45		H	F
44		B	F
43		C	G
42		D	G
41			E
40		E	F
39			F
38		H	F
37		H	B
36		H	C
35		H	D
34		H	B
33		H	A
32			A
31		B	A
30		C	A
29		F	A
28			A
27		E	A
26		E	
25		E	F
24		B	F
23		B	F
22		C	F
21		C	G
20		D	G
19		A	H
18		D	G
17		C	G
16		C	F
15		B	F
14		B	F
13		A	F
12		A	
11		A	H
10		F	H
9		G	H
8		E	H
7		F	H
6		D	H
5		D	
4		C	D
3		C	A
2		F	A
1		B	A

Note: Rib motif chart is first 11 rows of Yoke chart